

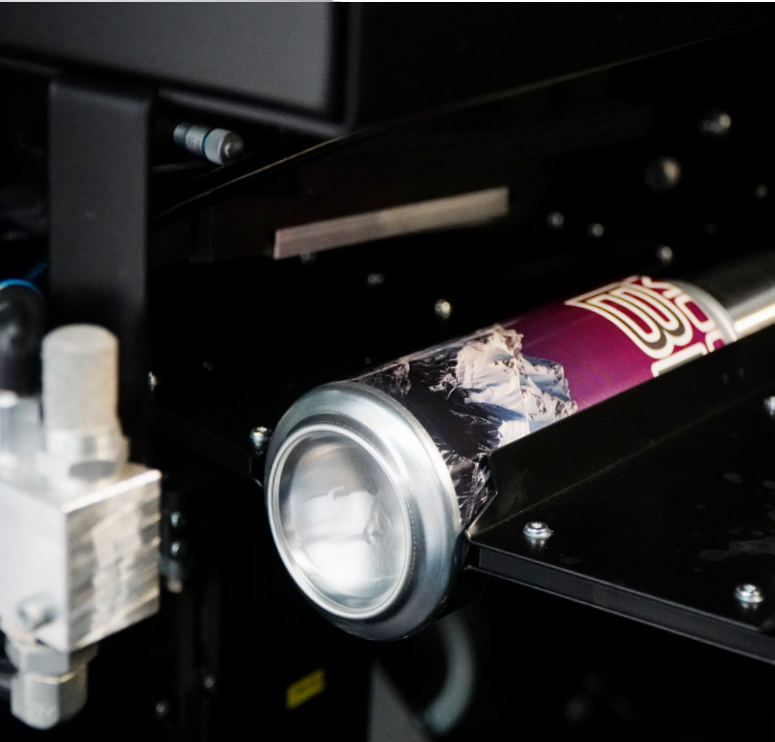
DigiCan **NEW**



Built for fast brands
and flexible production

New DigiCan: A compact inkjet solution for seamless beverage can decoration

- // High-resolution print quality with sharp text and photorealistic finish
- // Single, small and large runs with quick setup times and minimal waste
- // Zero third-party involvement with //polytype's digital printing system
- // Variable data printing enabling every single print to be unique
- // Cost-efficient single-pass process with no prepress required
- // Adapt faster to market trends and reduce time to market

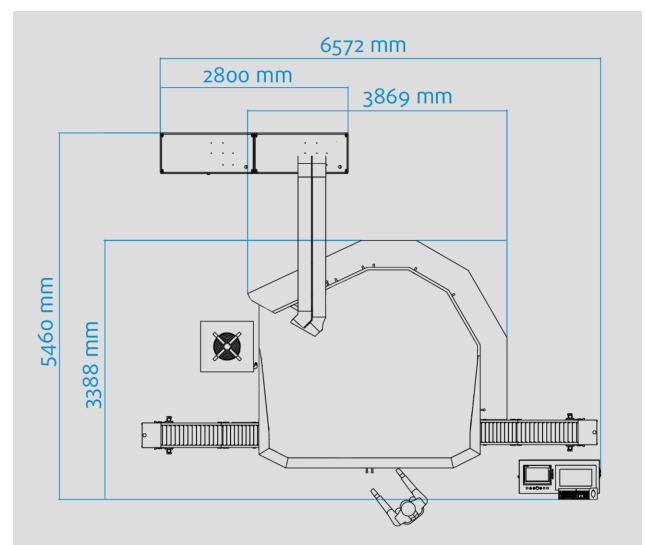


DigiCan is the right solution for efficient and high-quality can decoration. Give your cans the Wow! factor with photorealistic designs, bright colours and sharp details.

Specifications of our DigiCan

Min. can diameter:	50 mm
Max. can diameter:	66 mm
Min. can height:	90 mm
Max. can height:	180 mm
Max. print height:	Full coverage
Colours:	W + CMYK (+ OVG)
Finishing:	Overprint varnish (inkjet)
Printing speed up to:	120-150 cans/min*

*depending on the configuration



//polytype
Passion · Innovation · Decoration

Polytype AG
26, route de la Glâne
CH-1701 Fribourg/Switzerland
+41 26 426 11 11
info@polytype.com
www.polytype.com

Follow us:

